

**Amendments to the Drawings**

In accordance with 37 CFR § 1.121(d)(1), attached hereto are eleven annotated sheets depicting changes made to drawing Figures 1-13. The attached drawings have been amended to comply with 37 CFR §§ 1.84(l) and 1.84(p)(1). Figure 13 has also been amended to include the reference number and lead lines associated with the "webs 62" feature described at specification page 8, second paragraph.

Also attached hereto are eleven replacement sheets of drawings, incorporating the changes made to Figures 1-13, which replace all of the sheets originally submitted with the application.

**Remarks**

Reconsideration and allowance of this application, as amended, are respectfully requested.

The written description portion of the specification, claims 1-15 and 17-28, the abstract of the disclosure, and the drawing figures have been amended. Claim 16 has been canceled, and claims 29 and 30 have been added. Claims 1-15 and 17-30 are now pending in the application. Claim 1 is independent. The objections and rejections are respectfully submitted to be obviated in view of the amendments and remarks presented herein. No new matter has been introduced through the foregoing amendments.

The specification has been editorially amended for conformance with 37 CFR § 1.77(c), for consistency, and to correct any informalities. The abstract has been editorially amended for conformance with 37 CFR § 1.72(b). The drawing figures have been amended as described above in the "Amendments to the Drawings" section. The claims have been amended to more fully comply with U.S. practice and to overcome each of the grounds of rejection under 35 U.S.C. § 112, second paragraph. Claims 29 and 30 have been added in response to the rejection of claims 10 and 25, respectively, under § 112, second paragraph. Claim 1 has been amended to incorporate features of the invention previously recited in claim 16. Entry of each of the amendments is respectfully requested.

35 U.S.C. § 102(b) - Pastrone

Claims 1-5, 7, and 16 stand rejected under 35 U.S.C. § 102(b) as being anticipated by US 5,431,627 to Pastrone et al. (hereinafter "Pastrone '627"), which incorporates by reference US 4,927,411 to Pastrone et al. ("Pastrone '411").

The rejection under § 102(b) based on Pastrone '627 is respectfully deemed to be obviated. The disclosure of Pastrone '627 does not anticipate Applicants' presently claimed invention.

By way of review, the introductory portion of Applicants' specification acknowledges that the prior art teaches the use of certain types of cassettes. The problem with such prior art devices, however, is that the use of the cassettes is very limited to a very specific application. Therefore, according to the third paragraph of page 2 of Applicants' specification, it is the object of the present invention "to further develop a generic apparatus comprising a fluid treatment machine and a cassette insertable therein such that a large flexibility for different applications is made possible while maintaining the fast and simple exchangeability."

The aforementioned object is achieved by the combination of features of the apparatus defined by instant claim 1. With the claimed apparatus, it is of importance that the surface of the machine block and of the cassette is in each case divided into a plurality of surface regions with components of the actuators or

sensors to be coupled being accommodated in one surface which is common as a basic variant to all cassettes and wherein further surfaces are contained in which actuators and sensors are arranged here in a generic apparatus for the treatment of a medical fluid for operation of the apparatus with an inserted cassette such that cassettes are insertable in different integration shapes in the same machine. Due to the clearly defined arrangement of corresponding sensors and actuator, cassettes of different complexity can be inserted into the fluid treatment machine in accordance with the desired application. It is, therefore, not necessary to provide a different apparatus for different applications.

With regard to Pastrone '627's "Cassette Identification System," the disclosed system is structurally and functionally different from Applicants' presently claimed apparatus. Pastrone '627 fails to teach, *inter alia*, Applicants' claimed feature of "a surface of a machine block and of the cassette is in each case divided into a plurality of surface regions (A, B)." Since Pastrone '627 does not meet each feature of the claimed invention, Pastrone '627 does not anticipate the invention defined by Applicants' instant claim 1. Claims 2-5 and 7 are allowable because they depend from claim 1, and for other reasons.

35 U.S.C. § 102(e) - Westberg

Claims 1-5, 7-9, 12, 13, 20, and 27 stand rejected under 35 U.S.C. § 102(e) as being anticipated by US 7,195,607 to Westberg et al. ("Westberg").

The rejection under § 102(e) based on Westberg is similarly deemed to be obviated. For all of the reasons identified above in response to the rejection based on Pastrone '627, Westberg does not anticipate the invention defined by Applicants' instant claim 1. Claims 2-5, 7-9, 12, 13, 20, and 27 are allowable because they depend from claim 1, and for other reasons.

35 U.S.C. § 103(a)

Since Westberg is the primary reference in each of the rejections under § 103(a) -- claim 11 as being unpatentable over Westberg in view of US 7,147,613 to Burbank et al. ("Burbank"); claims 14, 17, and 24-25 as being unpatentable over Westberg in view of DE 10143137 ("DE '137"); claim 18 as being unpatentable over Westberg in view of DE '137 and in further view of US 6,471,855 to Odak et al. ("Odak"); claims 19 and 26 as being unpatentable over Westberg and in further view of US 2003/0220607 of Busby et al. ("Busby"); claim 10 as being unpatentable over Westberg in view of US 5,474,683 to Bryant et al. ("Bryant"); claim 28 as being unpatentable over Westberg; claim 15 as being unpatentable over Westberg in view of US 5,628,908 to Kamen et al.

("Kamen"); claim 6 as being unpatentable over Westberg in view of US 4,436,620 to Bellotti et al. ("Bellotti"); and claims 21-23 as being unpatentable over Westberg and in further view of US 4,479,762 to Bilstad -- each of these rejections is also respectfully deemed to be obviated. The combined disclosures of the cited references would not have rendered obvious Applicants' presently claimed invention because the disclosures of the additional references do not rectify any of the above-described deficiencies of Westberg.

Furthermore, there is simply no teaching in any of the references that would have led one to select the references and combine them in a way that would produce the invention defined by any of Applicants' presently pending claims. Therefore, the various combinations of references would not have rendered obvious the invention defined by any of Applicants' presently pending claims.

In view of the foregoing, this application is now in condition for allowance. If the examiner believes that an

U.S. Appln. No.: 10/516,528  
Atty. Docket No.: P70195US0

interview might expedite prosecution, the examiner is invited to  
contact the undersigned.

Respectfully submitted,

JACOBSON HOLMAN PLLC

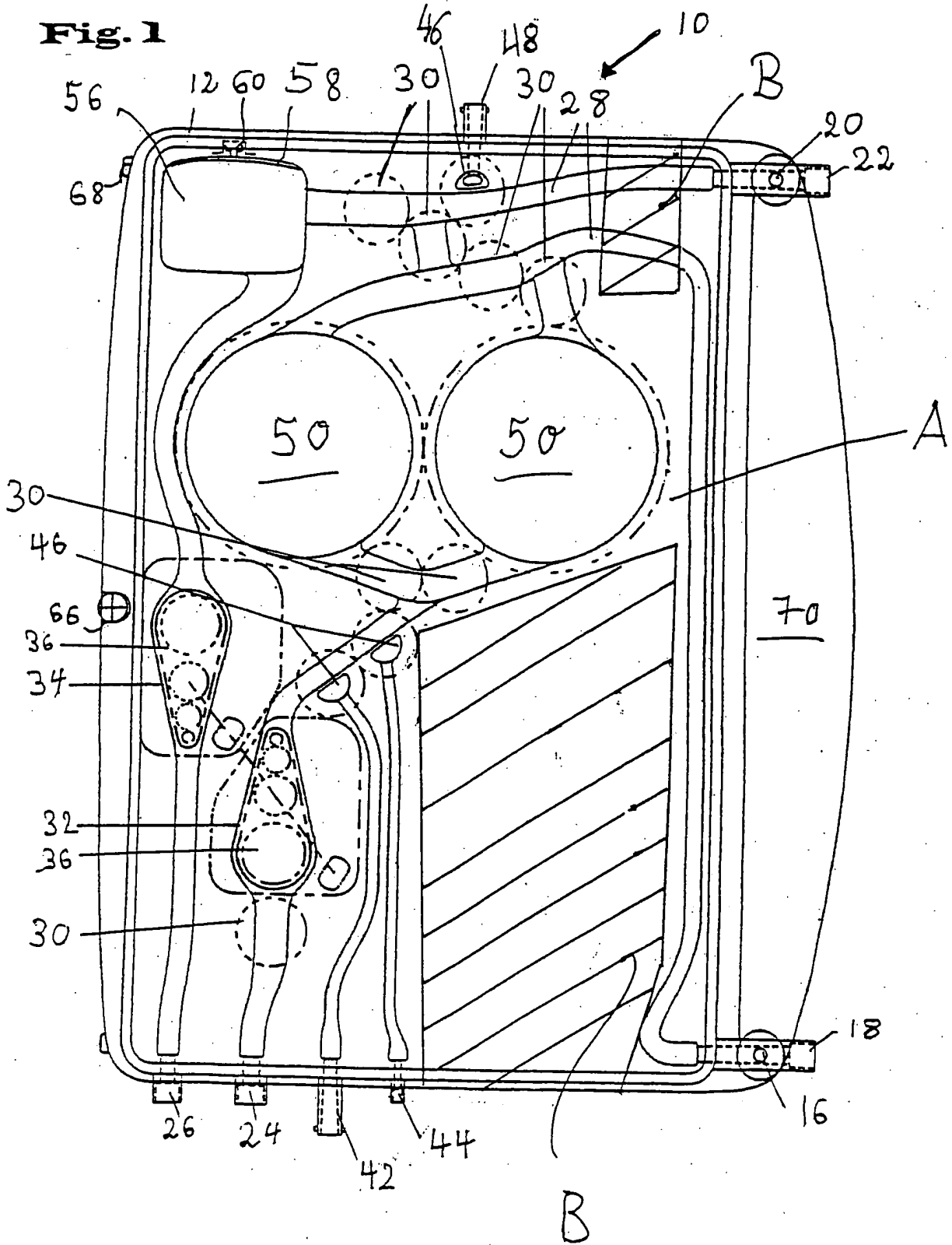
By: *Harvey B. Jacobson, Jr.* Reg. No. 34,378  
for Reg. No. 20,851

400 Seventh Street, N. W.  
Washington, D.C. 20004  
Telephone: (202) 638-6666  
Date: January 10, 2008



Annotated Sheet

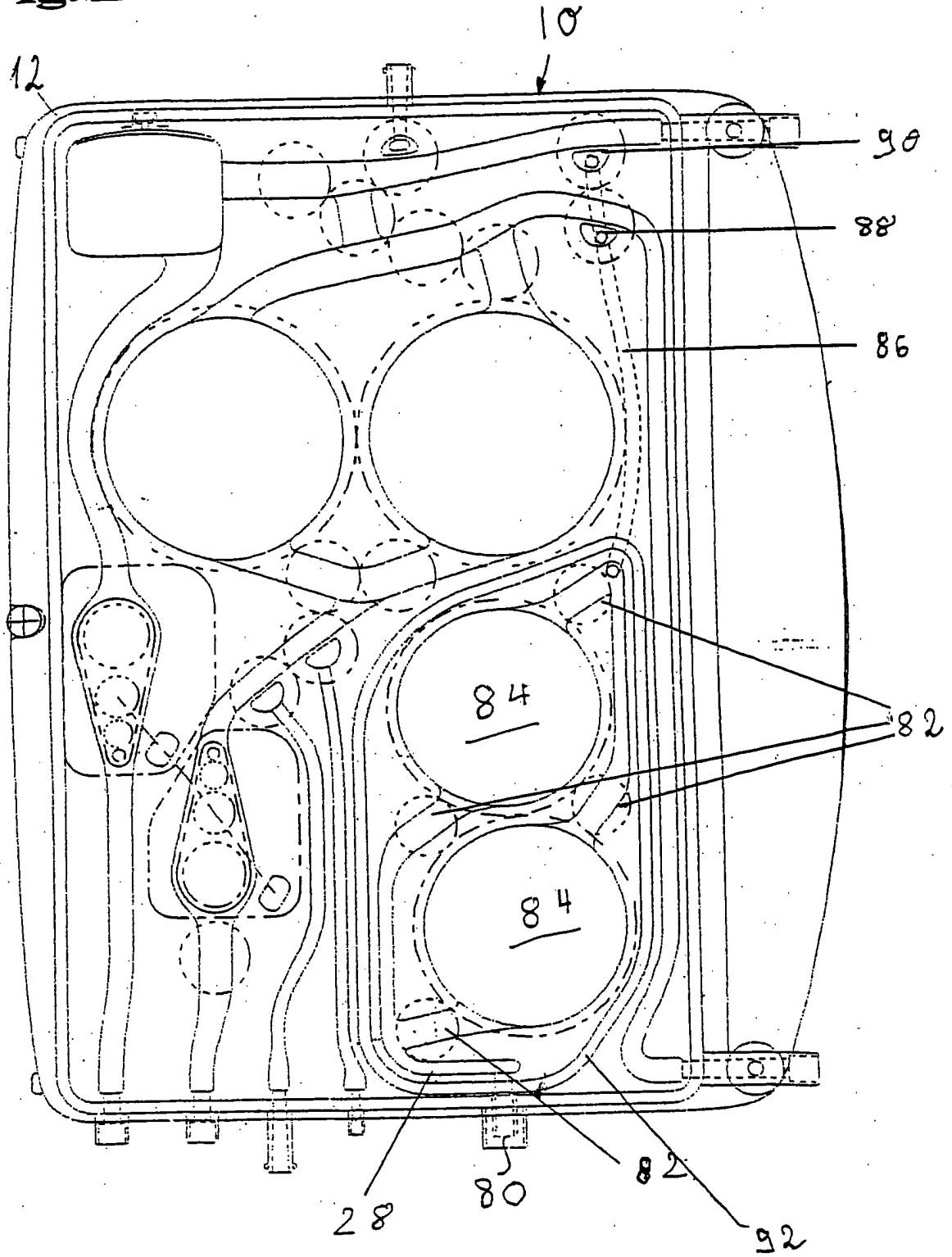
Fig. 1





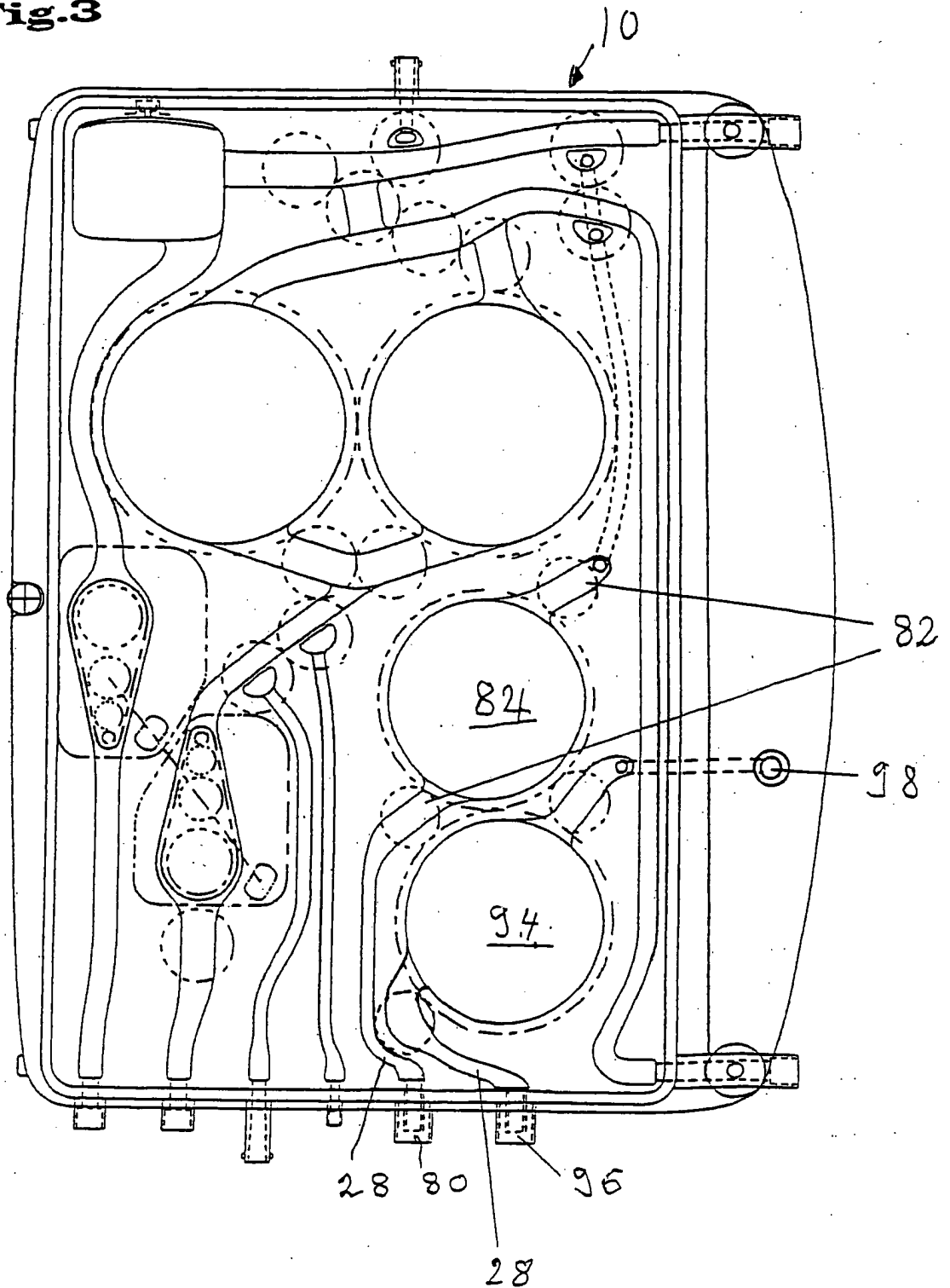
Annotated Sheet

**Fig. 2**



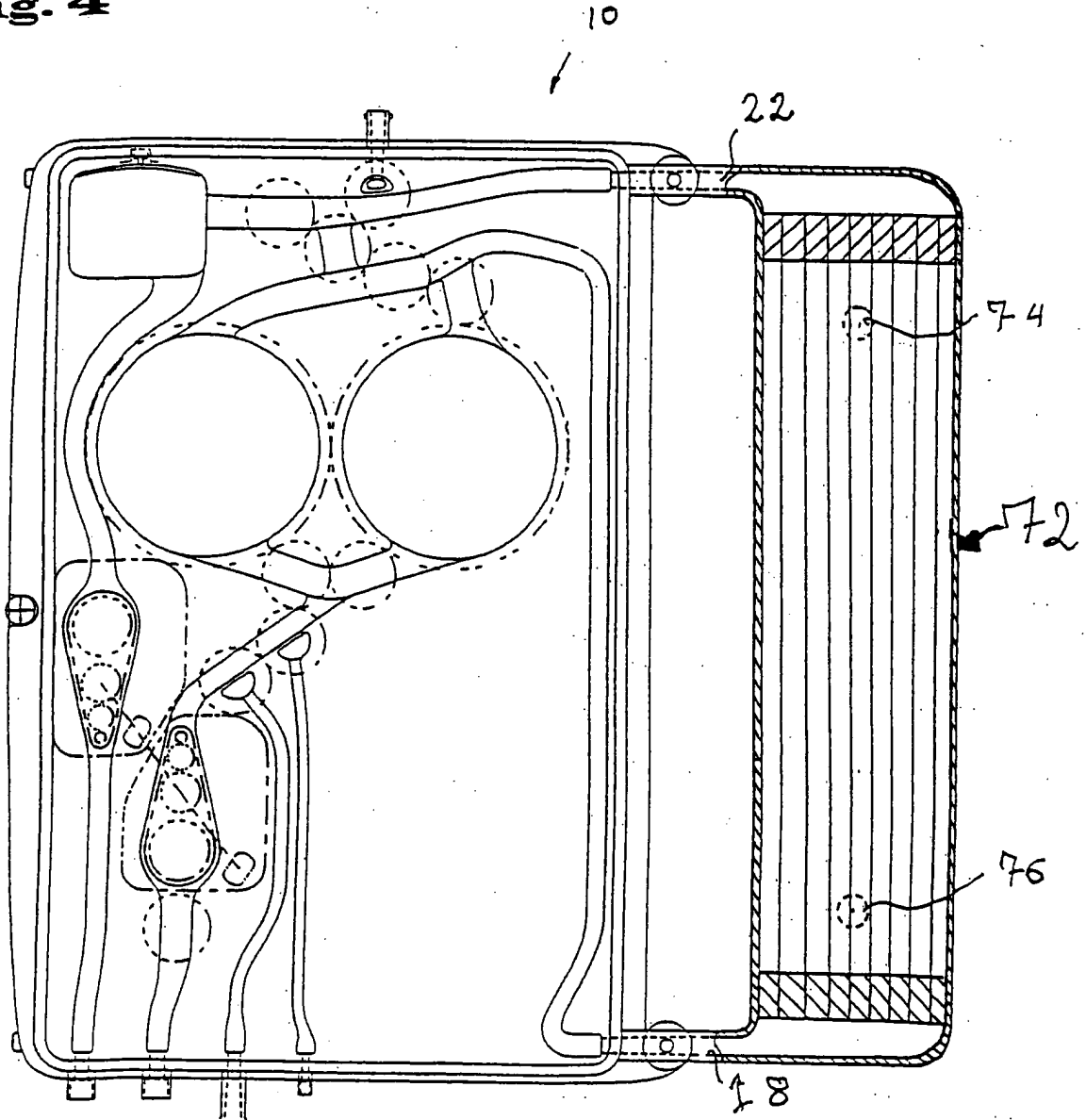
Annotated Sheet

**Fig.3**



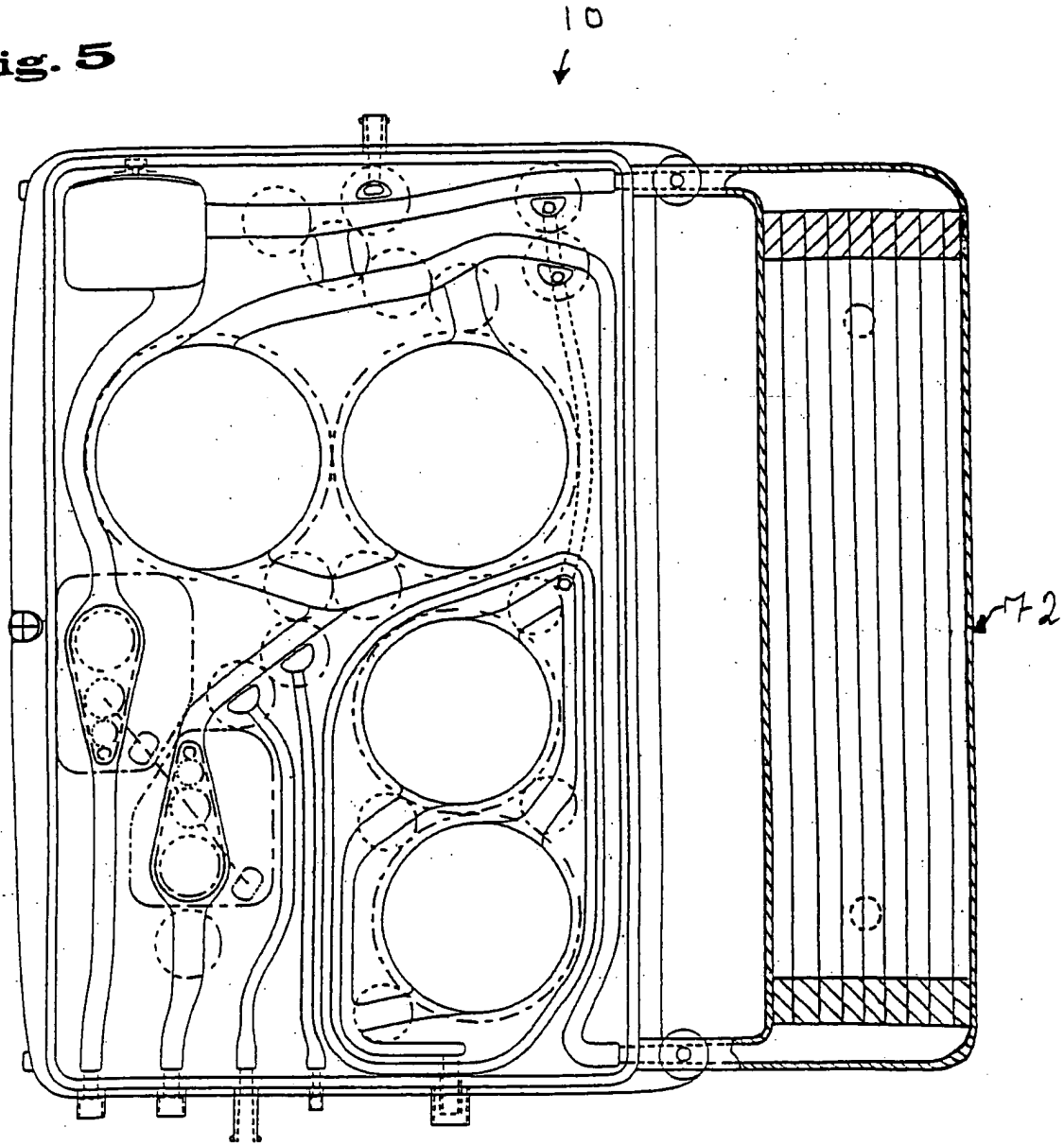
Annotated Sheet

**Fig. 4**



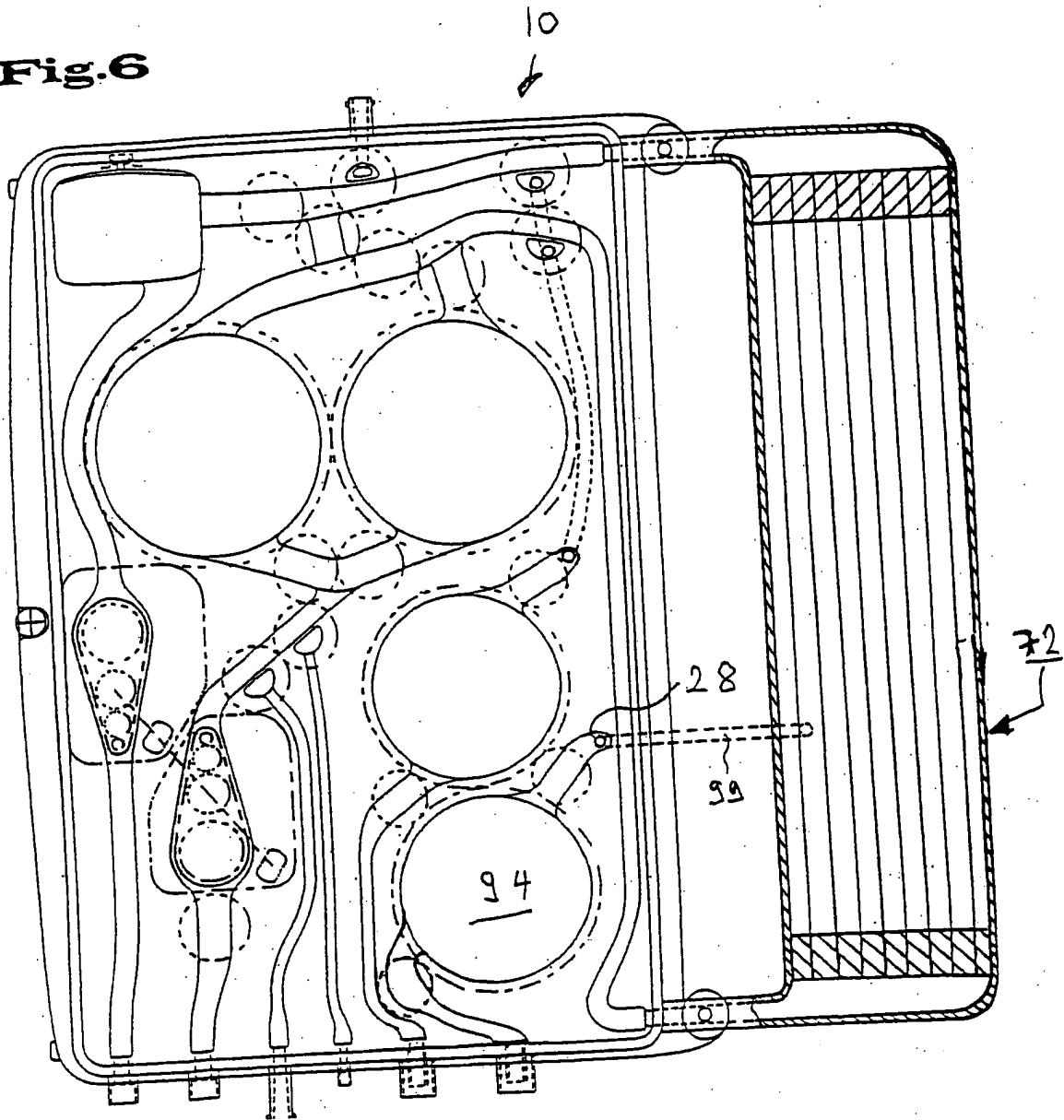
Annotated Sheet

**Fig. 5**



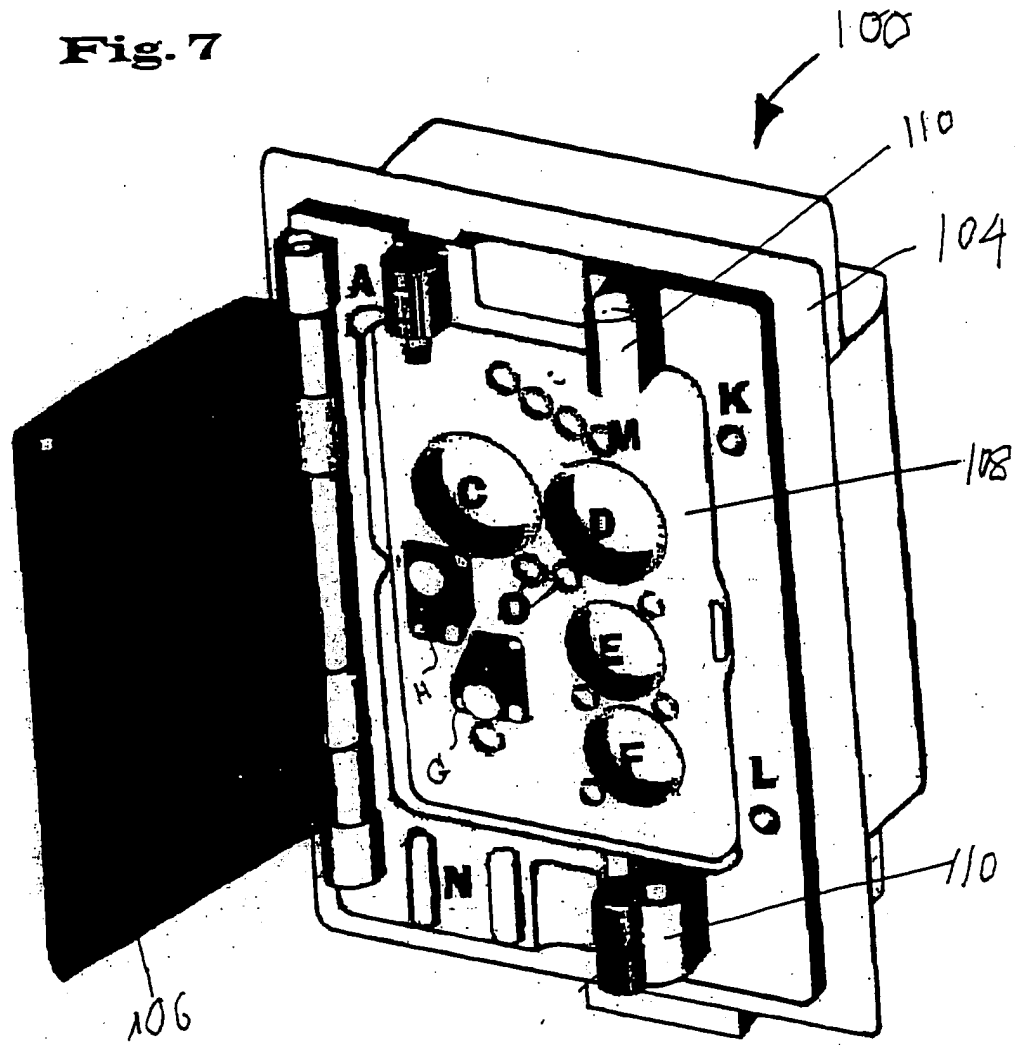
Annotated Sheet

**Fig. 6**



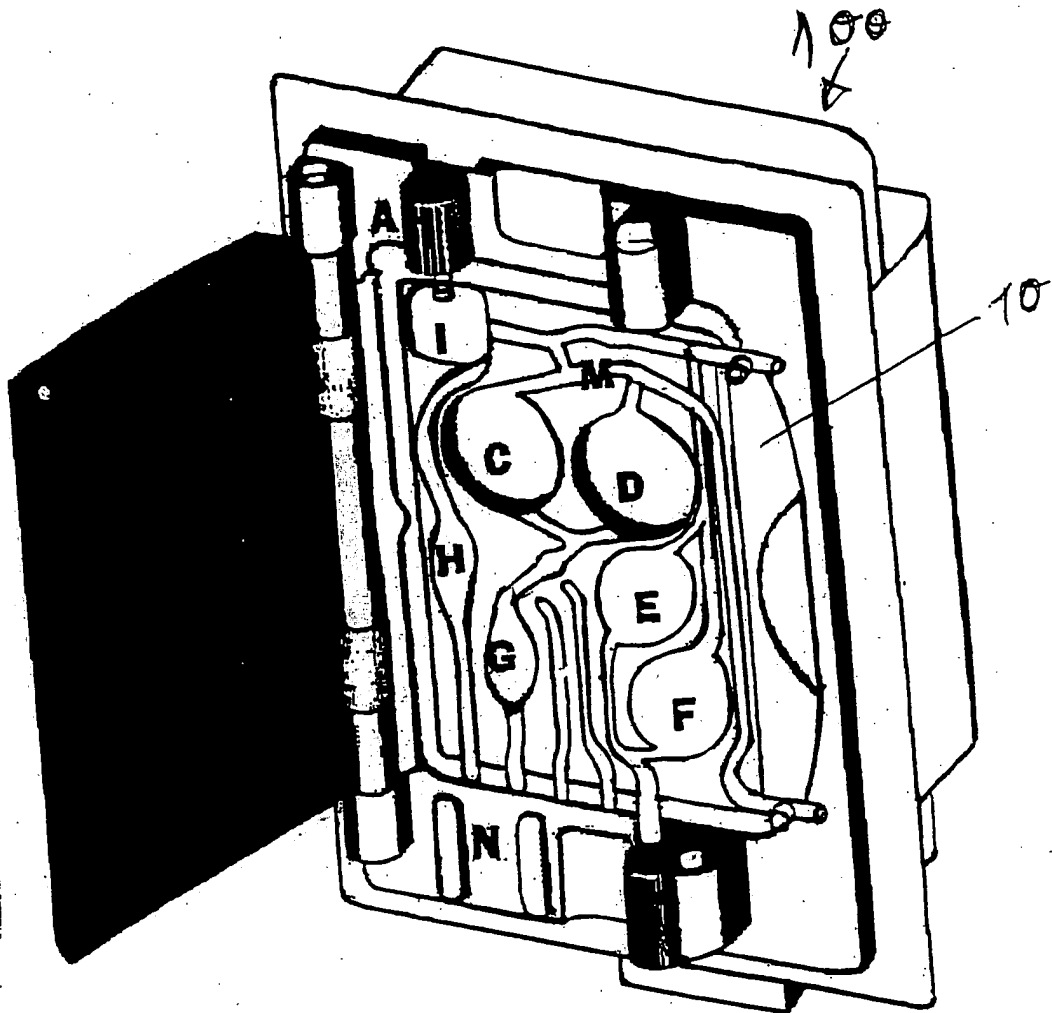
Annotated Sheet

Fig. 7



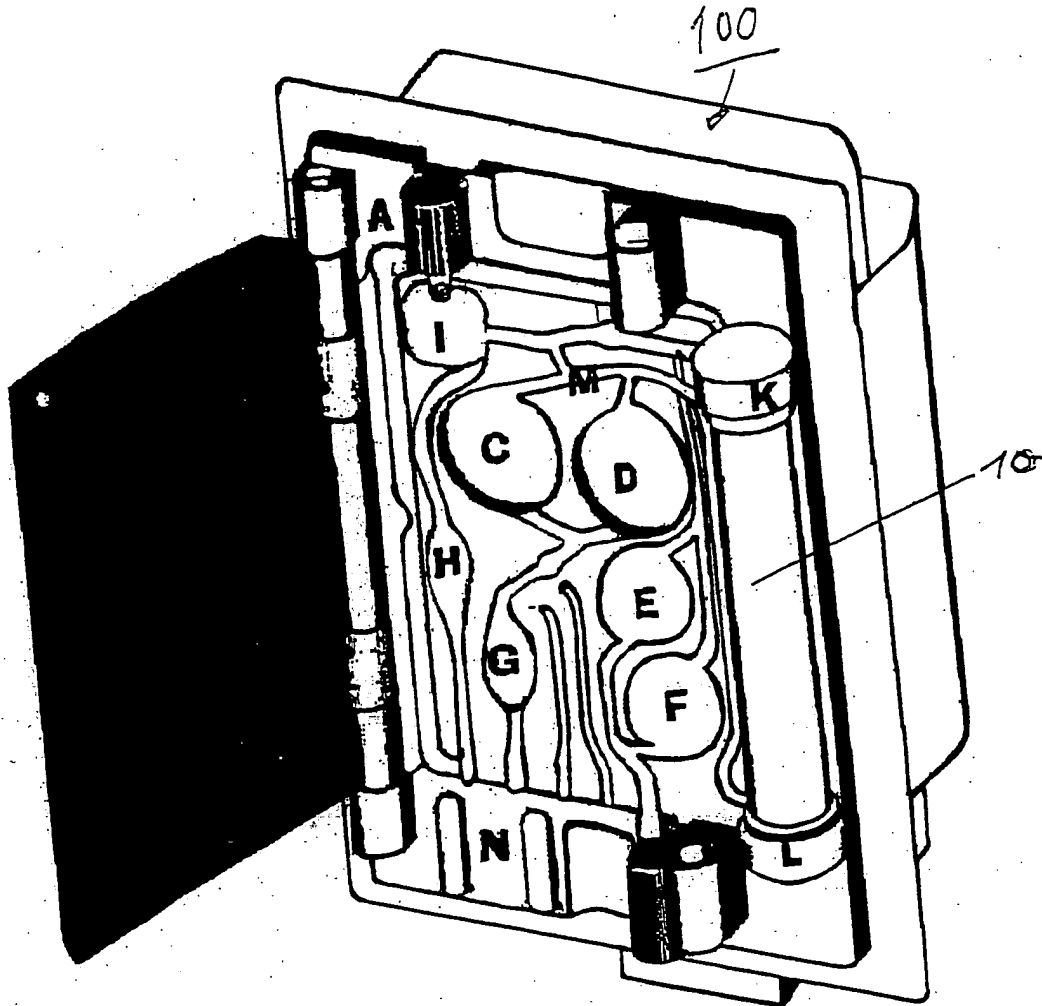
Annotated Sheet

Fig. 8



Annotated Sheet

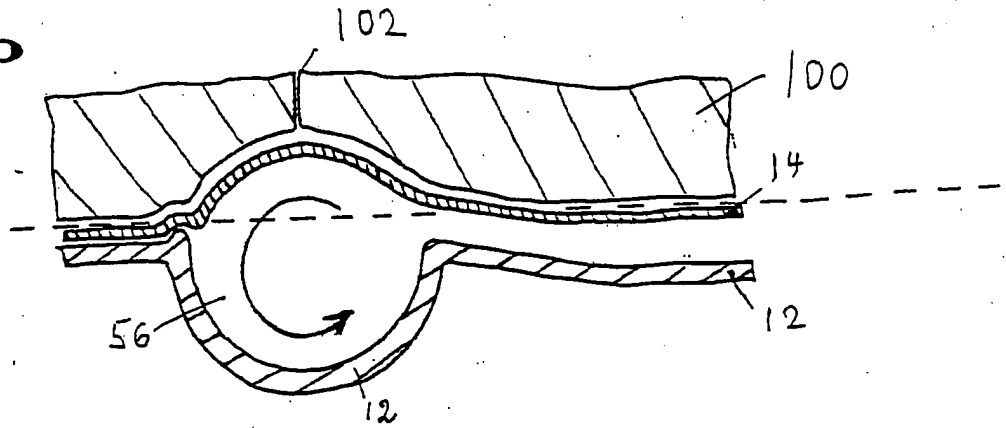
**Fig.9**



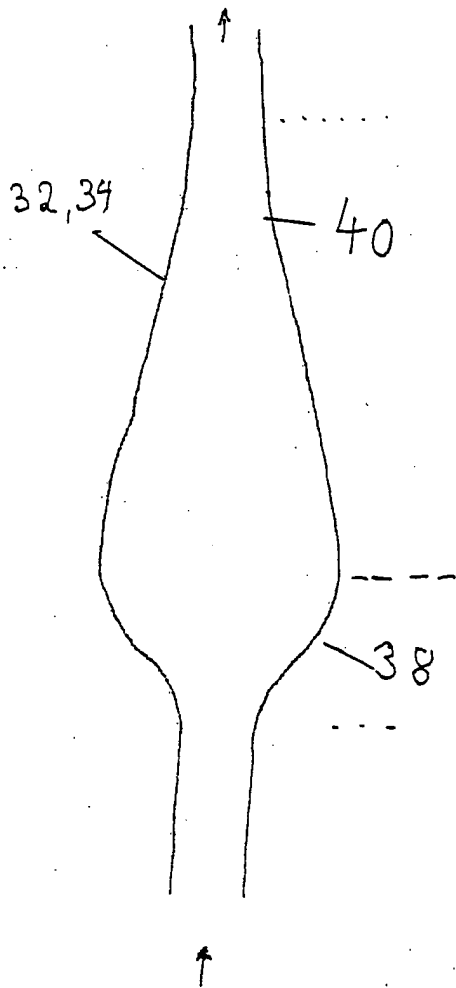


Annotated Sheet

**Fig. 10**



**Fig. 11**



Annotated Sheet

